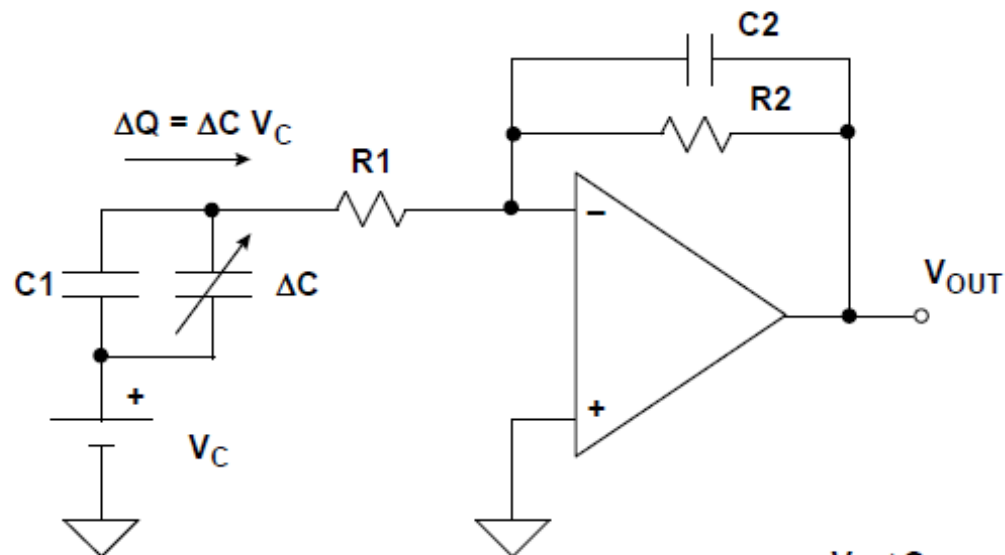


CHARGE AMPLIFIER FOR CAPACITIVE SENSOR



- FOR CAPACITIVE SENSORS: $\Delta V_{OUT} = \frac{-V_C \Delta C}{C_2}$
- FOR CHARGE-EMITTING SENSORS: $\Delta V_{OUT} = \frac{-\Delta Q}{C_2}$
- UPPER CUTOFF FREQUENCY = $f_2 = \frac{1}{2\pi R_2 C_2}$
- LOWER CUTOFF FREQUENCY = $f_1 = \frac{1}{2\pi R_1 C_1}$